

P Clips

Nylon

• Material:

Nylon 66, 94V-2 (PA66).

• Feature:

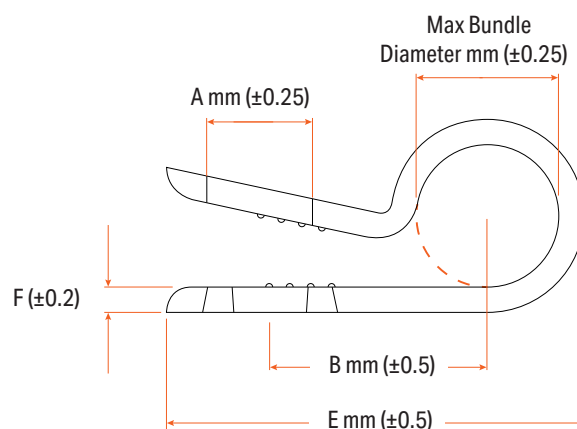
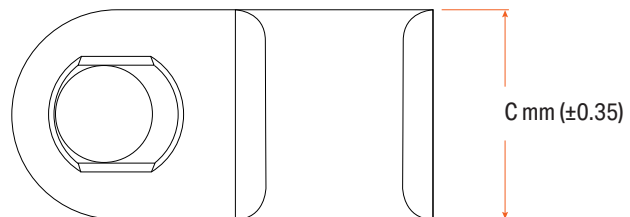
Suitable for a multitude of uses in various industries.

• Operating Temperature:

-40°C to +85°C.

• Application:

Clips are designed to hold cables, tubes and components in domestic appliances, electronics and electric apparatus generally.
To apply, just clamp down on loosen cables and screw it to chassis.



P Clips

Nylon

Item No.	Colour	Dimensions (mm)					Max. Bundle Diameter (mm)
		A	B	C	E	F	
PC100-B	Black	4.8	8.0	9.6	16.9	1.1	3.1
PC101-B	Black	4.8	9.2	9.6	18.5	1.1	5.0
PC102-B	Black	4.8	10.4	10.1	20.0	1.1	6.3
PC103-B	Black	5.0	11.2	10.0	22.6	1.2	7.9
PC104-B	Black	5.0	12.5	12.3	26.6	1.4	9.5
PC105-B	Black	5.0	14.8	12.2	30.3	1.4	12.7
PC106-B	Black	5.0	15.8	14.4	32.6	1.4	15.8
PC107-B	Black	4.8	18.0	11.8	37.3	1.4	19.4
PC108-B	Black	5.5	21.9	13.0	40.4	1.4	22.8
PC111-B	Black	5.0	21.0	12.0	43.4	1.4	25.4
PC109-B	Black	5.4	25.6	17.2	47.0	1.5	28.5
PC100-N	Natural	4.8	8.0	9.6	16.9	1.1	3.1
PC101-N	Natural	4.8	9.2	9.6	18.5	1.1	5.0
PC102-N	Natural	4.8	10.4	10.1	20.0	1.1	6.3
PC103-N	Natural	5.0	11.2	10.0	22.6	1.2	7.9
PC104-N	Natural	5.0	12.5	12.3	26.6	1.4	9.5
PC105-N	Natural	5.0	14.8	12.2	30.3	1.4	12.7
PC106-N	Natural	5.0	15.8	14.4	32.6	1.4	15.8
PC107-N	Natural	4.8	18.0	11.8	37.3	1.4	19.4
PC108-N	Natural	5.5	21.9	13.0	40.4	1.4	22.8
PC111-N	Natural	5.0	21.0	12.0	43.4	1.4	25.4
PC109-N	Natural	5.4	25.6	17.2	47.0	1.5	28.5